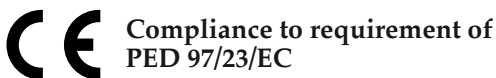


bourdon tube pressure gauge all stainless steel construction DS 2.5" (63mm)

MGS18



Compliance to requirement of
PED 97/23/EC

These instruments are designed for use in food, beverage, pharmaceutical, cryogenic, chemical and petrochemical processing industries, and in conventional and nuclear power plants, to measure gaseous or liquid media which do not have high viscosity or do not cristalize. They are built to resist the most severe operating conditions created by the ambient environment and the process medium. For use on power units, pumps, hydro-cleaning machines, presses, engine compressors, turbines, diesel engines, chemical, petrochemical and refrigerating plants and on machines and equipment where pulsating pressures or mechanical vibrations are apparent, the liquid-filled version is recommended.

1.18.1 - Standard Model

Design: EN 837-1.
Safety designation: S1 as per EN 837-2.
Ranges: from 0...15 to 0...15000 psi; (from 0...1 to 0...1000 bar, or other equivalent units).
Accuracy class: 1.6 as per EN 837-1.
Ambient temperature: -13...+149 °F (-25...+65 °C).
Process fluid temperature: max +212°F (+100 °C).
Thermal drift: ±0,4 % / 10 K of range (starting from 68°F - 20°C).
Working pressure:
75% of FSV for static pressure;
66% of FSV for pulsating pressure;
100% of FSV for static pressure (max 12 hours)
Over pressure limit (15 min max):
25% of FSV for pressure ranges ≤ 1500 psi (100 bar);
15% of FSV for pressure ranges over 1500 psi (100 bar).
Protection degree: IP 55 as per IEC 529.
Socket material: AISI 316L st.st.
Bourdon tube: AISI 316L st.st.
Case: stainless steel.
Ring: stainless steel, bayonet lock.
Window: plastic.
Movement: stainless steel.
Dial: plastic white with black markings.
Pointer: adjustable, aluminium, black.

1.18.2 - Fillable Model

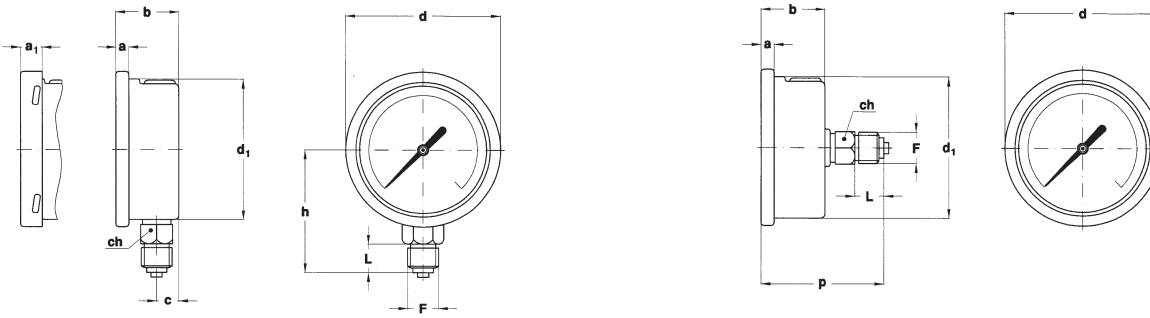
Protection degree: IP 67 as per IEC 529.
Ring: stainless steel polished, crimped.
Pointer: not adjustable, aluminium, black.
Other features: as Standard Model.

1.18.3 - Filled Model

Damping liquid: glycerine 98%, silicon oil or fluorinated fluid.
Ambient temperature:
+59...+149 °F (+15...+65 °C) with glycerine filling;
-49...+149 °F (-45...+65 °C) with silicon oil filling;
-76...+149 °F (-60...+65 °C) with fluorinated fluid filling.
Process fluid temperature: max +149°F (+65 °C).
Protection degree: IP 67 as per IEC 529.
Ring: stainless steel polished, crimped.
Pointer: not adjustable, aluminium, black.
Other features: as Standard Model

bourdon tube pressure gauge
all stainless steel construction, DS 2.5" (63mm)

MGS18



A - LOWER CONNECTION

D - BACK CONNECTION

Mounting	F	a	a ₁	b	c	d	d ₁	h	p	L	ch	Weight (1)
Lower	1/4-18 NPT-G 1/4A	0.22" (5,6)	0.37" (9,5)	1.10" (28)	0.39" (10)	2.67" (68)	2.46" (62,6)	2.13" - 2.17" (54,3 - 55,3)		0.51" (13)	0.55" (14)	0.28 lbs (0,13 kg)
Back	1/4-18 NPT-G 1/4A	0.22" (5,6)	0.37" (9,5)	1.10" (28)		2.67" (68)	2.46" (62,6)		2.11" - 2.15" (53,8 - 54,8)	0.51" (13)	0.55" (14)	0.30 lbs (0,14 kg)

dimensions : inches (mm)

(1) add 0.15 lbs (0,07 kg) when filled

OPTIONS

Model	standard	fillable	filled
"U"-clamp, for back connection pressure gauges	♦	♦	♦
Back flange, for lower connection pressure gauges	♦	♦	♦
Front flange, for back connection pressure gauges	♦	♦	♦
Reference pointer "MN7"	♦		
Suitable for filling with silicone/Fluorinated fluid		♦	
Silicone filling			♦
Fluorinated fluid filling			♦
Glass tempered window	♦	♦	♦
Safety glass window	♦		

"HOW TO ORDER" SEQUENCE

Section / Model / Case / Mounting / Diameter / Range / Process connection / Options

1 18 1 A C
2 D
3