

New
type code

Q-Flow product information



Variable area flowmeters for gases and liquids

Variable area flowmeters Q-Flow



Features

Construction:	Short mounting length, 3 sizes
Connections:	On the back side
Scale:	Millimetric-scale, direct reading scale and customer-specific scale The scales are highly wear-resistant
Float type:	Spherical
Valve:	Precisely adjustable, 15-turn micro valve, practically hysteresis-free The setting range is adapted to the measuring range
Rotary knob:	4 different versions are available
Body material:	Aluminium or stainless steel
Seals material:	FKM or EPDM
Customization:	Customer-specific versions available

Versions

* = Standard

Setup	Standard* Installation into control panel, retracted Customized, custom design
Material	Aluminium / FKM Stainless steel / FKM Stainless steel / EPDM
Connection	G 1/4" female* G 1/8" female NPT 1/4" female G 1/4" female for compression fittings
Valve at inlet* or outlet	With standard-knob* With standard-knob and locking ring With hex socket and locking nut Without valve

Technical data

Type	Q-Flow 55	Q-Flow 80	Q-Flow 140
Turndown ratio	10:1	10:1	10:1
Accuracy in % of full scale	±5%	±4%	±2%
Measuring tube length	55 mm	80 mm	140 mm
Scale length	40 mm	65 mm	120 mm
Float	spherical	spherical	spherical
Max. pressure	20 bar	20 bar	16 bar
Max. temperature	100°C	100°C	100°C
Max. pressure drop	20 mbar	20 mbar	30 mbar

Options

- Calibration report (factory certificate)
- Additional flow table for mm-scale
- Panel mounting kit
- Locking ring (for standard-knob)
- Locking nut (instead of standard-knob)
- Customized measuring tube scale

Measuring range for direct reading scales

* = on request

We provide a variety of direct reading scales. Find the most common in the table below:

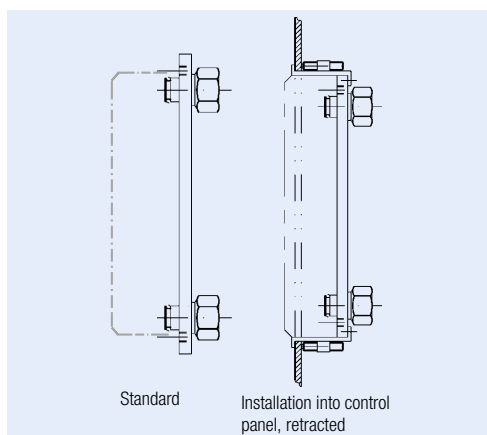
Medium	Air, NI/h			Water, l/h	
Conditions	1.21 bara, 20°C			20°C	
Type	Q-Flow 55	Q-Flow 80	Q-Flow 140	Q-Flow 55	Q-Flow 140
	0.12 – 1.2	0.12 – 1.2	–	–	–
	0.2 – 2	0.2 – 2	0.2 – 2	–	–
	0.3 – 3	0.3 – 3	0.3 – 3	–	–
	0.5 – 5	0.5 – 5	0.5 – 5	–	–
	0.8 – 8	1 – 10	0.8 – 8	0.25 – 2.5	–
	1.6 – 16	1.6 – 16	1.6 – 16	0.5 – 5	–
	4 – 40	4 – 40	4 – 40	1.2 – 12	0.25 – 2.5
	6 – 60	6 – 60	6 – 60	2.5 – 25	0.5 – 5
	10 – 100	10 – 100	10 – 100	4 – 40*	1.2 – 12
	25 – 250	25 – 250	25 – 250	6 – 60*	2.5 – 25
	50 – 500*	50 – 500	50 – 500	7 – 70*	4 – 40*
	80 – 800*	80 – 800	80 – 800	–	6 – 60*
	120 – 1200*	120 – 1200	120 – 1200*	–	7 – 70*

Measuring range for mm scales

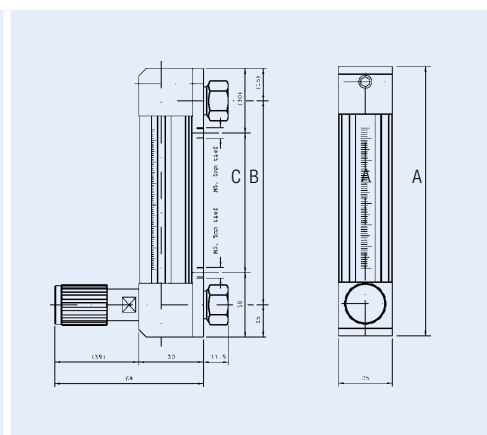
The mm scale with the corresponding flow table permits measurement of almost all media and mixtures.

Medium	Air, NI/h		Water, l/h	
Conditions	1.013 bara, 20°C		20°C	
Measuring range	smallest	highest	smallest	highest
Q-Flow 80	0.15 – 1.5	180 – 1800	0.002 – 0.02	6 – 60
Q-Flow 140	0.2 – 2	460 – 4600	0.002 – 0.02	16 – 160

Mounting



Dimensional drawings (mm)



	A	B	C
Q-Flow 55	100	70	40
Q-Flow 80	125	95	65
Q-Flow 140	185	155	125

For customer-specific scales please give us the following specifications:

- Medium, mixture if applicable and max. flow
- Pressure in bar, absolute (only required for gases)
- Medium temperature, if applicable medium viscosity and density

Please indicate your operating conditions. We will promptly propose you an optimal flow meter for your application.

Type code variable area flowmeters Q-Flow

Instrument type	Q-Flow	F	L	Q																
Instrument size	55								A											
	80								B											
	140								C											
Materials (body, seals)	Aluminium/brass, FKM								S											
	Stainless steel, FKM								E											
	Stainless steel, EPDM								T											
	Customer-specific / OEM								K											
Setup	Setup S**								S											
	Customer-specific / OEM								K											
Valve (position)	Valve at the inlet**									S										
	Valve at the outlet									A										
	Without valve									O										
	Customer-specific / OEM									K										
Process connection (in- and outlet)	G 1/4" female**													S						
	G 1/8" female													B						
	G 1/4" female (for compression fittings)													C						
	NPT 1/4" female													D						
	Customer-specific / OEM													K						
Measuring tube scale	Millimetric-scale																	M		
	Direct reading scale																	D		
	Customer-specific / OEM																	K		
Options	Additional flow table for mm-scale																			T
	Calibration report																			P
	Panel mounting kit																			E
	Locking ring (for standard-knob)																			A
	Locking nut (instead of standard-knob)																			B
	Hose connectors PVC, G 1/4" / 4mm																			N
	Hose connectors PVC, G 1/4" / 6mm																			O
	Hose connectors PVC, G 1/4" / 8mm																			Q
	Customized measuring tube scale																			M
	Customer-specific / OEM																			K
Type code		F	L	Q	-									-						-

** Standard

Please contact our sales for all questions concerning configuration settings and customized versions: **+41 61 756 63 00** or **sales@voegtlin.com**