

Protect & Isolate Pressure Sensing Instruments from Corrosive and Ultra Pure Fluids

TUFF GUARD™ Gauge Isolators

Series TG

Introduction

Marquest Scientific's new line of gauge and instrument isolators are engineered to provide total protection and isolation of corrosive & ultra pure fluids while offering a design with the most rugged features in the industry.

Branded "TUFF GUARD" to represent all its inherent strengths, the many features address the problematic issues associated with all existing product designs.

Features and Benefits

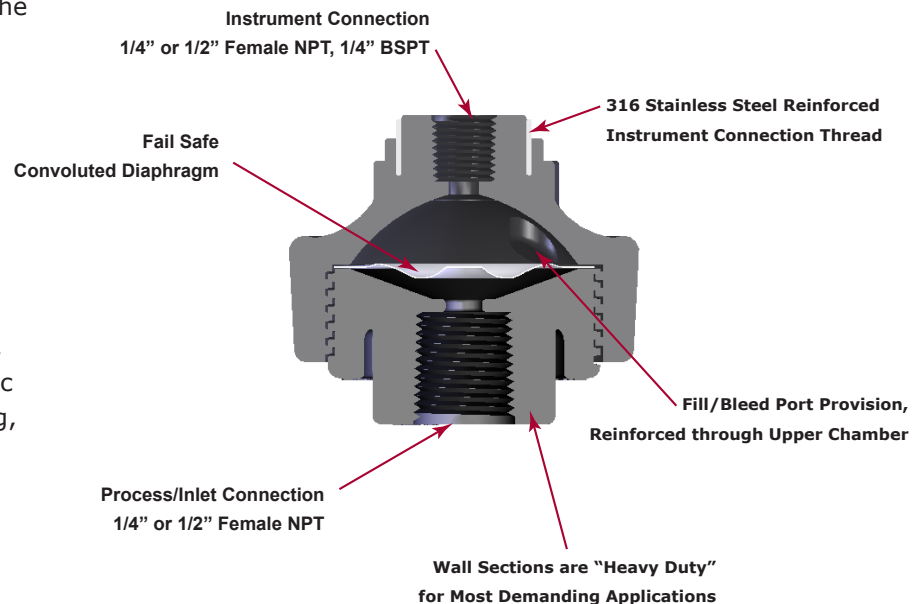
- Stainless steel reinforcement of the instrument connection to prevent fracturing associated with metal to plastic threads. This stainless steel reinforcing component is integrally molded into the the Upper Chamber to completely surround the full length of the female thread and is for all practical purposes "unbreakable".
- Reinforced process connection with compressive spoke ribs to transfer the tensile stresses into compression.
- Sufficient displacement to handle the required volumetric displacement of all instrument sizes and pressure ranges.
- Fill / bleed port provision, reinforced through upper chamber to allow for threaded connections in vacuum fill processing.
- Integral wrench provisions for field service and maintenance.
- Diaphragms in PTFE Teflon, Viton and EPDM offer the choices for each application. Field Replaceable.
- Wall Thickness meet or exceed ANSI Schedule 120
- Low Profile Design eliminates dead volume

Fields of Application

Wet Processing Waste Water Treatment, Chemical Feed Systems, Commercial Industrial RO Systems, Plating Equipment, Water Purification, Photographic Processing, Car Wash, Farming, Pharma Processing, SemiFab Wafer Manufacturing.



Materials of Construction: PVC, CPVC, PP, & PVDF
Diaphragm Materials: Teflon, Viton, & EPDM
Connection Sizes: 1/4" x 1/2", 1/4" x 1/4", 1/2" x 1/2"
Instrument x Process Female, NPT/BSP Connections
Solvent Cement Socket Process Joints



The Tuffest Guard in the Industry!

Teflon® is a Registered Trademark of E.I. DuPont.

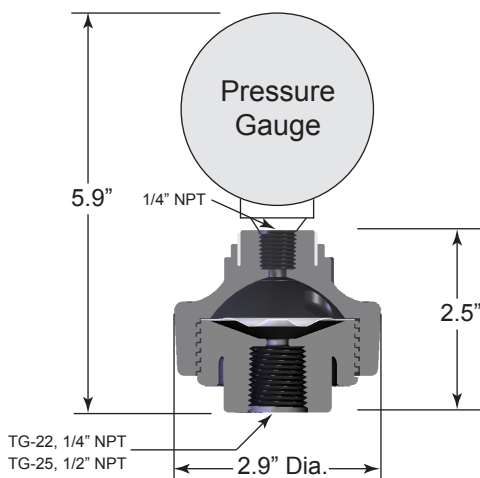
- Body**
- **PVC:** Polyvinyl Chloride
 - **CPVC:** Chlorinated Polyvinyl Chloride
 - **PP:** Polypropylene, unpigmented homopolymer, glass & mineral reinforced
 - **PVDF:** 100% Virgin Polyvinylidene Flouride

- Diaphragm**
- Virgin PTFE, Teflon®
 - Viton®
 - EPDM

- Connection Types**
- Instrument Connection:**
- 1/4" or 1/2" Female NPT
 - 1/4" Female BSPT
- Inlet Connection:**
- 1/4" or 1/2" Female NPT
 - 1/4" Female BSPT

DIMENSIONAL DATA - inches

PRESSURE/TEMPERATURE DATA



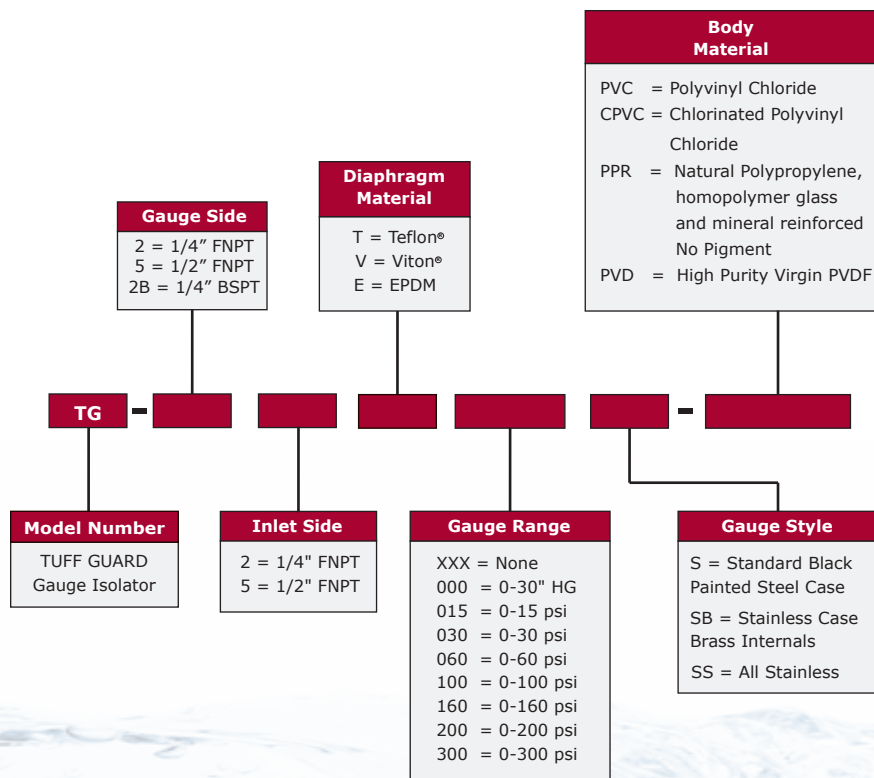
WORKING PRESSURE PSI

WEIGHTS

Material	50°C 10°F	68°C 10°F	30°C 86°F	40°C 104°F	50°C 122°F	60°C 140°F	70°C 158°F	80°C 176°F	90°C 194°F	100°C 212°F	120°C 248°F	Net Weights Pounds*
PVC	200	250	250	220	140	135	—	—	—	—	—	0.33
CPVC	230	250	250	230	200	200	150	120	60	—	—	0.36
PP	200	240	240	210	145	125	75	60	—	—	—	0.31
PVDF	240	250	250	250	250	230	220	200	160	140	80	0.39

Temperature Ranges: **PVC:** 14 to 140°F (10 to 60°C), **CPVC:** 50 to 194°F (10 to 90°C), **PP:** 46 to 176°F (8 to 80°C), **PVDF:** -22 to 248°F (-30 to 120°C). * Weights are for unfilled 1/4" x 1/2" without gauges.

HOW TO ORDER



Example Part Number: TG-25T060S-PVC

Tuff Guard Gauge Isolator with 1/4" Female NPT Outlet, 1/2" Female NPT Inlet, Convoluted Teflon Diaphragm, w/ 0-60 PSI Standard Black Painted Steel Case Gauge with Brass Internals, Polyvinyl Chloride Body

Notes:

- Dual scale dials available
- Max pressure rating is 250 psi
- Back mount style gauges available
- Gauge Guard assembled with pressure switch or sensor available



MARQUEST SCIENTIFIC

Fluid Handling Products

2950 Airway Avenue, Bldg C-5, Costa Mesa, CA 92626

Toll Free: (866) 452-2349 Fax: (714) 491-9199

e-mail: sales@marquestscientific.com

Come Visit Us

WWW.MARQUESTSCIENTIFIC.COM

WWW.GAUGEGUARDS.COM

Bulletin No. TGGI0210