

Safety Valves

Type 06205

Safety Valves, brass,
type tested TÜV-SV.1090 S/G

Standard safety valve
with FPM valve seal, open bonnet,
with discharge holes, with lifting device
Inlet: male thread type G (BSPP) acc. to ISO 228/1

Part No. 06205.X.0000

Available options - on request only:

- stainless steel spring - material 1.4571
- external parts nickel plated

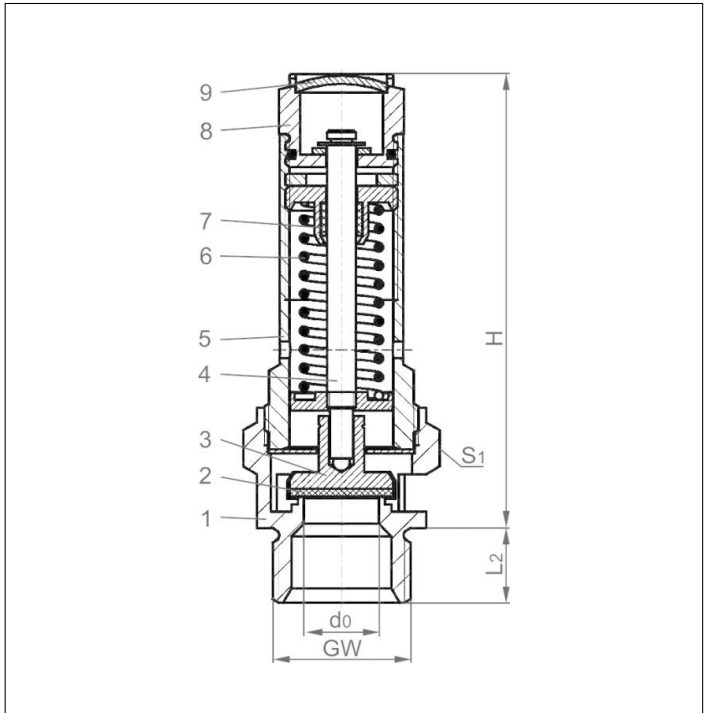


Applications:

Provided as safety device for protection against excessive pressure in stationary and moveable gas cylinders and pressure vessels. Approved for air and similar gases.

Working temperature: -20°C / -4°F (253K) up to +160°C / +320°F (433K), size d₀7 suitable for horizontal installation

Materials	DIN EN	ASME/ASTM
1 Body	CW614N	B 249 UNS C38500
2 Valve seal	FPM (Viton)	
3 Disc	CW614N	B 249 UNS C38500
4 Stem	CW614N	B 249 UNS C38500
5 Bonnet	CW614N	B 249 UNS C38500
6 Spring	1.1200	A 227
7 Stem guide	PTFE	
8 Lifting device	CW614N	B 249 UNS C38500
9 Closing cap	CW507L	B 36 UNS C26800



Essential: Valves are delivered at a set pressure, therefore when ordering please confirm set pressure, medium and temperature.

Standard marking acc. to Pressure Equipment Directive 2014/68/EU (PED).



Type 06205	Technical data							
Nominal size	GW	1/4	3/8	1/2	1/2	3/4	1	1-1/4
Orifice	d ₀	7	7	7	12	15	18	20
Dimension code	.X.	0200	0300	0704	0400	0600	1000	1200
Set pressure range	bar	0.4-43	0.4-43	0.4-43	0.2-22	0.2-16	0.2-18	0.2-16
Height	H	60	60	67	78	92	110	125
Length	L ₂	10	10	12	12	15	18	20
Wrench size across flats	S ₁	21	21	24	27	32	41	48
Weight	ca. kg	0.07	0.07	0.17	0.17	0.27	0.48	0.75
Coeff. of discharge from 3.0 bar	α _w	0.60	0.60	0.60	0.47	0.63	0.63	0.63

Dimensions in mm.

* with FPM seal up to 35 bar, with PTFE seal up to 43 bar

Safety Valves

Type 06205



Discharge capacities

Calculation of flow rate acc. to AD2000-Merkblatt A2

Medium:

Air in m³/h at 0°C and 1013.25 mbar

The capacity indicated below is for a fully opened valve.

d₀ - orifice

A₀ - flow area

Set pressure in bar (g)	GW	1/4	3/8	1/2	1/2	3/4	1	1-1/4
	d ₀ (mm)	7.0	7.0	7.0	12.0	15.0	18.0	20.0
A ₀ (mm ²)	38.48	38.48	38.48	113.1	176.7	254.5	314.2	
Medium	Air							
0.2	-	-	-	30	60	86	106	
0.4	19	19	19	42	84	121	150	
0.6	23	23	23	52	104	150	186	
0.8	28	28	28	61	124	178	220	
1.0	32	32	32	70	142	205	253	
2.0	50	50	50	113	239	345	426	
3.0	67	67	67	156	327	472	582	
4.0	85	85	85	196	411	592	731	
5.0	102	102	102	236	496	714	881	
6.0	120	120	120	276	579	834	1030	
7.0	137	137	137	316	663	955	1179	
8.0	155	155	155	357	749	1079	1332	
9.0	172	172	172	398	833	1200	1482	
10.0	190	190	190	439	919	1324	1634	
11.0	206	206	206	475	994	1432	1768	
12.0	225	225	225	519	1087	1566	1934	
14.0	260	260	260	599	1256	1809	2233	
16.0	295	295	295	680	1424	2051	2532	
18.0	330	330	330	760	-	2294	-	
20.0	368	368	368	849	-	-	-	
22.0	404	404	404	930	-	-	-	
25.0	457	457	457	-	-	-	-	
27.0	492	492	492	-	-	-	-	
30.0	550	550	550	-	-	-	-	
32.0	585	585	585					
34.0	621	621	621					
36.0	657	657	657					
38.0	692	692	692					
40.0	734	734	734					
42.0	770	770	770					
43.0	788	788	788					