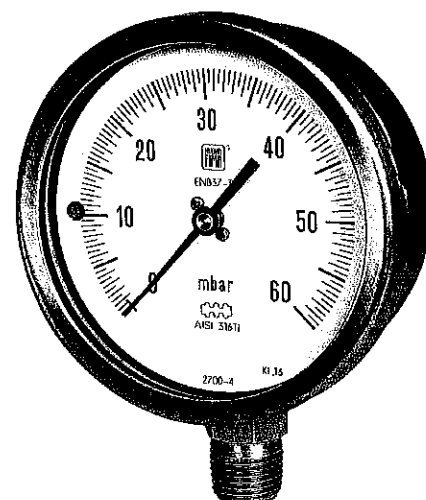


capsule pressure gauges DS 4", 6" (100-150mm)

MN9



For measurement of low pressure and vacuum within the range -600...0 to 0...600 mbar, for use on gas and dry air.

2.09.1 - Standard Model MN9 DS 4" (100mm)

Design: EN 837-3.

Ranges: from 0...10 to 0...240 INWC (from 0...25 to 0...600 mbar) or equivalent units.

Accuracy class: 1.6 as per EN 837.

Ambient temperature: -13...+149 °F (-25...+65 °C).

Process fluid temperature: +149°F (+65 °C).

Working pressure: max 75% of FSV.

Over pressure limit: 25% of FSV.

Protection degree: IP 55 as per IEC 529.

Socket material: stainless steel.

Elastic element: copper alloy capsule.

Case: stainless steel.

Ring: stainless steel, bayonet lock.

Window: glass.

Movement: copper alloy.

Dial: aluminium, white with black markings.

Pointer: aluminium.

Zero adjustment: internal, on dial.

2.10.1 - "All stainless steel" Model MN9/18 DS 4", 6" (100-150mm)

Ranges: from 0...10 to 0...240 INWC (from 0...25 to 0...600 mbar) or equivalent units for DS 4" (100mm);

from 0...1 to 0...240 INWC (from 0...2,5 to 0...600 mbar) or equivalent units for DS 6" (150mm).

Process fluid temperature: +212 °F (+100 °C).

Socket material: AISI 316 st.st.

Elastic element: AISI 316 Ti (1.4571) st.st. capsule.

Other features: as MN9 DS 4" (100mm).

0...2,5 mbar (1)
0...4 mbar (1)
0...6 mbar (1)
0...10 mbar (1)
0...16 mbar (1)
0...25 mbar
0...40 mbar
0...60 mbar
0...100 mbar
0...160 mbar
0...250 mbar
0...400 mbar
0...600 mbar

-2,5...0 mbar (1)
-4...0 mbar (1)
-6...0 mbar (1)
-10...0 mbar (1)
-16...0 mbar (1)
-25...0 mbar
-40...0 mbar
-60...0 mbar
-100...0 mbar
-160...0 mbar
-250...0 mbar
-400...0 mbar
-600...0 mbar

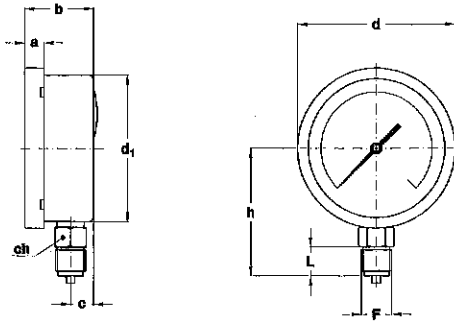
-1...1,5 mbar (1)
-1,5...1 mbar (1)
-1...3 mbar (1)
-2...2 mbar (1)
-3...1 mbar (1)
-2...4 mbar (1)
-4...2 mbar (1)
-3...3 mbar (1)
-4...6 mbar (1)
-6...4 mbar (1)
-5...5 mbar (1)
-6...10 mbar (1)
-10...6 mbar (1)
-10...15 mbar
-15...10 mbar
-15...25 mbar
-25...15 mbar
-20...40 mbar
-40...20 mbar
-40...60 mbar
-60...40 mbar
-60...100 mbar
-100...60 mbar
-100...150 mbar
-150...100 mbar
-150...250 mbar
-250...150 mbar
-200...400 mbar
-400...200 mbar

(1) for DS 6" (150mm)

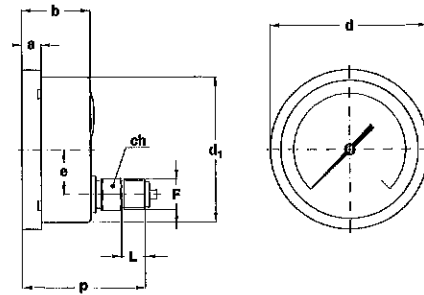
capsule pressure gauges
DS 4", 6" (100-150mm)

MN9

RB1.1 - 01/09



A - LOWER CONNECTION



D - BACK CONNECTION

Mounting	DN	F	a	b	c	d	d ₁	e	h	p	L	ch	Weight : lbs (kg)
Lower	E 4" (100mm)	41M G 1/2 A	0.51 (13)	1.91 (48,6)	0.63 (16,1)	4.35 (110,6)	3.97 (101)		3.39 (86)		0.78 (20)	0.87 (22)	1.14 (0,52)
Lower	G 6" (150mm)		0.59 (15)	1.96 (50,5)	0.65 (16,5)	6.33 (161)	5.88 (149,6)		3.39 (86)		0.78 (20)	0.87 (22)	2.20 (1)
Back	E 4" (100mm)	43M 1/2-14 NPT	0.51 (13)	1.91 (48,6)		4.35 (110,6)	3.97 (101)	1.22 (31)		3.42 (86,8)	0.78 (20)	0.87 (22)	1.25 (0,57)
Back	G 6" (150mm)		0.59 (15)	1.96 (50,5)		6.33 (161)	5.88 (149,6)	1.22 (31)		3.42 (86,8)	0.78 (20)	0.87 (22)	1.98 (0,9)

dimensions : mm

OPTIONS

MODEL	MN9	MN9/18
C40 - AISI 316 st. st. case and ring		♦
K10 - Accuracy class 1 (only for ≥ 25 mbar range)		♦
MIX -Stainless steel movement		♦
B - "U"-clamp, for back connection pressure gauges	♦	♦
C - Back flange, for lower connection pressure gauges	♦	♦
E - Front flange, for back connection pressure gauges	♦	♦
T32 - Window glass	♦	♦

"HOW TO ORDER" SEQUENCE

Section / Model / Case / Mounting / Diameter / Range / Process connection / Options
 2 09 1 A E 41M B...E
 10 D G 43M C40...T32